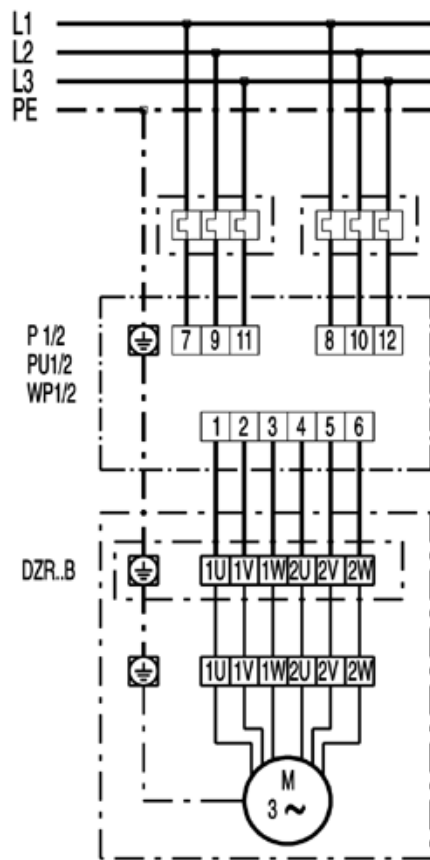


DZR 50/84 B



**DZR 50/84 B**

