

ELPRO CONCEPT

SUGGESTED SPECIFICATIONS

Electrically operated projection screen 230 volt (50Hz) with a usage of no more than 0.53 Ampere. The motor is mounted on the left side in the steel casing with rubber dampers to reduce sound. The motor is mounted inside the roller, 4 wire, 26 rotations per minute, maintenance free, integrated brake and thermal overload cut-out. The end positions are pre-set, but can be adjusted afterwards. The 4 wire connection is integrated into the end cap and can be connected to the electric installation with the connector and standard cable. Suitable for wall and ceiling mounting with the supplied flexible mounting brackets (50cm). The leaf shaped steel casing (14,6 x 15,4cm) is galvanised on the inside and on the outside powder coated with a matte structure coating (RAL 9016). The white end caps close the casing on both ends. After removing the left end cap an Easy Connectivity plug is accessible for easy connecting of power and accessories. The triangular slat bar closes of the bottom of the casing completely. The screen fabrics are flame retardant and seamless. The projection fabrics have a 5 cm. border all around with the Video, HDTV, and Wide format. The standard format (1:1) has a black border on both sides (width ≤ 240cm= 2.5cm and > 240cm= 5cm). The projection fabrics have a black backing. Standard 3 position wall switch is supplied. The projection screen is tested and monitored by the TÜV/ GS programme (EN 60335-1: 2002+A1+A11+A12+A2+A13, EN6035-2-97:2006 and DIN 19045-5/01.84) and CE marked and satisfies the strictest quality and safety requirements.

SCREEN SURFACES

All screen fabrics are seamless in the viewing area.
 Matte White; Gain 1.0, viewing angle 120°, Flame retardant
 High Contrast; Gain 1.1, viewing angle 120°, Flame retardant.
 Datalux; Gain 1.5, viewing angle 80°, Flame retardant

DIMENSIONS (SELECT ONE OF OUR STANDARD SIZES AND ENTER THE REQUIRED QUANTITY)

Aspect Ratio	Screen Size	Viewing Size	Nominal Diagonal		Case (RAL 9016)			Weight	Screen Surfaces		
	hxw cm	hxw cm	cm	inches	L1 (mm)	L2 (mm)	L3 (mm)	in kg	Matte White	High Contrast	Datalux
4:3	138 x 180	126 x 168	210	83	1911	1345	1820	20			
	153 x 200	143 x 190	238	94	2131	1565	2040	22			
	168 x 220	158 x 210	263	103	2331	1765	2240	23			
	183 x 240	173 x 230	288	113	2531	1965	2440	25			
	213 x 280	203 x 270	338	133	2931	2365	2840	29			
	228 x 300	218 x 290	363	143	3131	2565	3040	31			
	243 x 320	233 x 310	388	153	3331	2765	3240	33			
16:9	102 x 180	95 x 168	193	76	1911	1345	1820	19			
	117 x 200	107 x 190	218	86	2131	1565	2040	21			
	128 x 220	118 x 210	241	95	2331	1765	2240	23			
	139 x 240	129 x 230	264	104	2531	1965	2440	25			
	162 x 280	152 x 270	310	122	2931	2365	2840	28			
	173 x 300	163 x 290	333	131	3131	2565	3040	30			
	184 x 320	174 x 310	356	140	3331	2765	3240	32			
16:10	129 x 200	119 x 190	224	88	2131	1565	2040	21			
	141 x 220	131 x 210	248	97	2331	1765	2240	23			
	154 x 240	144 x 230	271	107	2531	1965	2440	25			
	179 x 280	169 x 270	318	125	2931	2365	2840	29			
	191 x 300	181 x 290	342	135	3131	2565	3040	30			
	204 x 320	194 x 310	366	144	3331	2765	3240	32			
	216 x 340	206 x 330	389	153	3531	2965	3440	34			
1:1	180 x 180	173 x 173			1911	1345	1820	20			
	200 x 200	195 x 195			2131	1565	2040	22			
	220 x 220	215 x 215			2331	1765	2240	24			
	240 x 240	230 x 230			2531	1965	2440	26			
	280 x 280	270 x 270			2931	2365	2840	31			
	300 x 300	290 x 290			3131	2565	3040	33			
	320 x 320	310 x 310			3331	2765	3240	35			
340 x 340	330 x 330			3531	2965	3440	38				

CUSTOM SOLUTIONS

Give exact the sizes of the projection screen you need:

Viewing size: _____ Height (cm.) x _____ width (cm.) Surface: _____

Border top: _____ (cm.) Border bottom: _____ (cm.)

RAL color case and plastic parts: RAL _____

Motor positioned on right side

Remarks: _____

www.projectascreens.com/screendesigner

Screen fabric mounted reversely

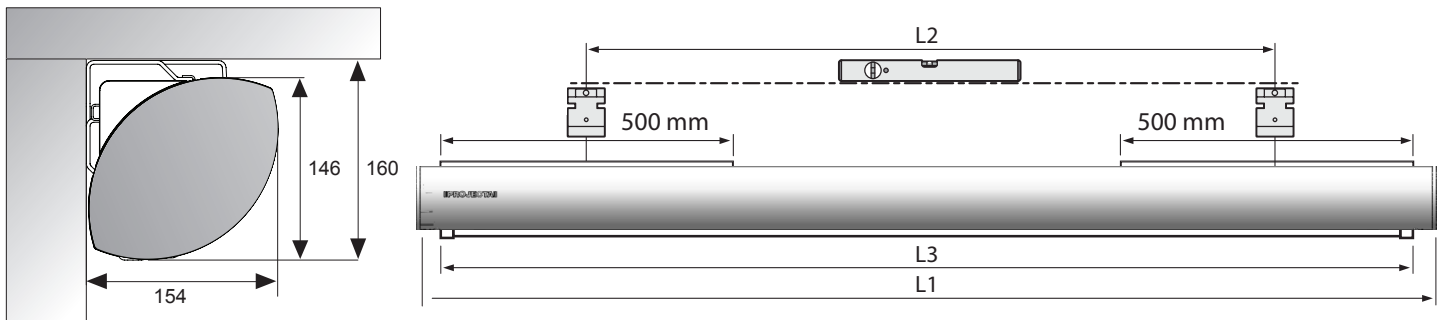
ACCESSORIES FOR OPERATION

- Easy Install RF remote control (868,3 Mhz)
 - Easy Install wireless projectorcoupling (868,3 Mhz)
 - Easy Install wireless RF wall switch (868,3 Mhz)
- Easy Install RF remote control with projectorcoupling (868,3 Mhz)
- Easy Install projectorcoupling with cable (868,3 Mhz)
- Easy Install IR remote control (868,3 Mhz)
- Easy Install plug & play relaybox with potential free contacts (868,3 Mhz)
 - Easy Install plug & play RS232/RS422 control kit
 - Easy Install plug & play RS232/RS422 with IP control kit
- Keyswitch

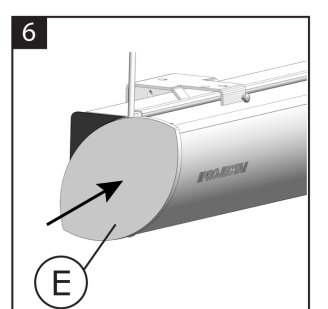
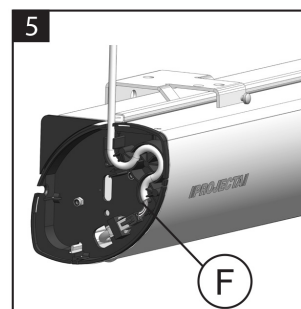
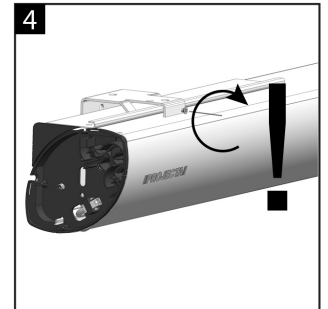
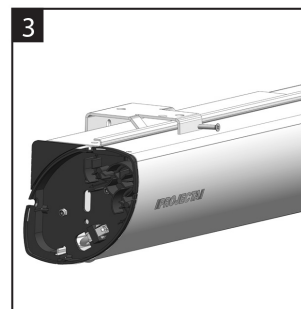
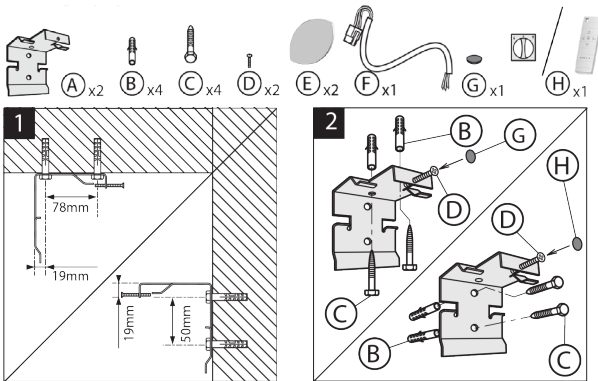
ACCESSORIES FOR MOUNTING

- Ceiling brackets (100 cm.)
- Set extension brackets (75 cm.)
- Set extension brackets (30 cm.)
- Set extension brackets (10 cm.)
- Set wall clamps
- Bracket kit for easy mounting in soffit

DIMENSIONS



INSTALLATION



Project: _____

Architect: _____

Phone: _____

Contractor: _____

Phone: _____

Supervisor: _____

Phone: _____

Supplier: _____

Date: _____

Revised: _____

www.projectascreens.com

Specifications subject to change.