

Ausdruck ist nur zur Information und wird bei Änderung nicht berücksichtigt. This printed copy is for information only and is subject to alteration.



Mehrtonsirene 42 Töne

Multi-t.sounder 42tne

142.100.XX

(vorläufiges techn. Datenblatt)
(provisional technical data sheet)

WERMA Signaltechnik
GmbH + Co. KG
Dürbheimer Straße 15
78604 Rietheim-Weilheim
Phone +49(0)7424 9557-0
Fax +49(0)7424 9557-44
info@werma.de

Elektrische Daten:

electrical specification

Betriebsspannung: Siehe Bestell-Nr.
operating voltage see order no.
Stromaufnahme: 24VDC/max. 450mA
current consumption 115VAC/max. 130mA
230VAC/max. 65mA

Lautstärke: Siehe Tabelle
volume see list
Tonart: Siehe Tabelle
tone type see list
Einschaltdauer: 100 % ED
duty cycle 100 %

Bestell-Nr.:

order no.:

142 100 55 18-30 V DC

142 100 68 115/230 AC

Mechanische Daten:

mechanical specification

Material Gehäuse: PC/ABS, grau
housing material PC/ABS, grey
Masse ca.: 142 100 55 1600g
weight approx. 142 100 68 1800g
Temperatur: -25° ... +75 °C
temperature
Schutzart: IP 66
protection rating
Einbaulage: Schallaustritt nicht nach
installation position oben
sound outlet not upwards

Befestigung: Wandmontage
fixing wall mounting
Anschluss: Schraubklemme mit Adernschutz,
connection 0,28 ... 2,5 mm²
screwable connection with wire pro-
tection 0,28 ... 2,5mm²

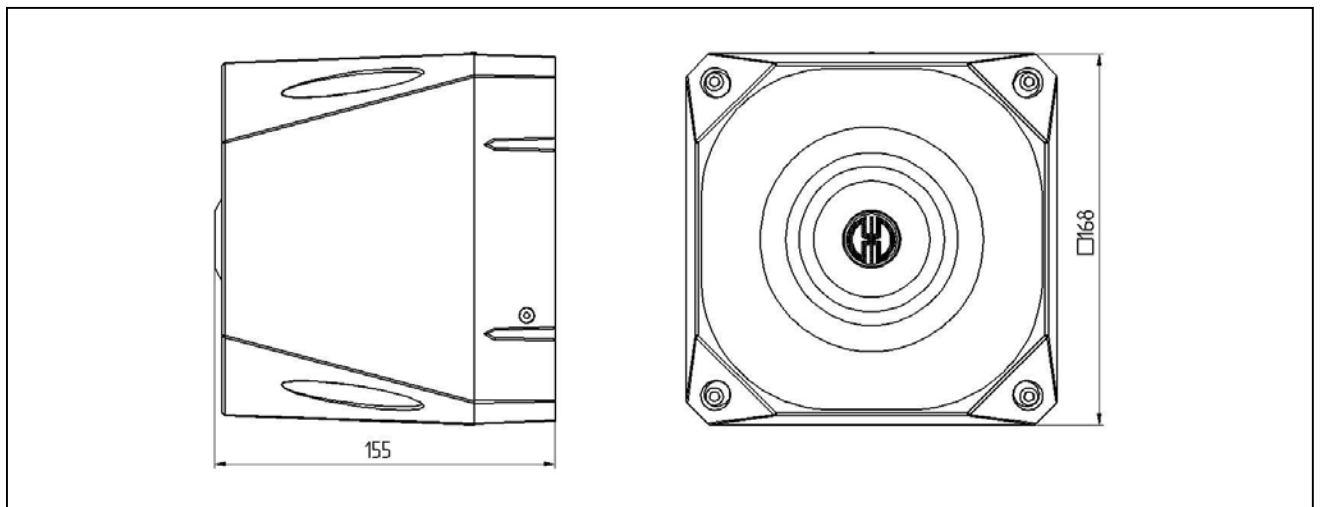
Vorschriften:

Die zutreffenden EG-
Richtlinien werden erfüllt
conforms to current
EU regulations

Besonderheiten:

characteristic features

Lautstärkeeinstellung max. -20dB(A)
volume control max. -20dB(A)



Hinweis: Alle Angaben beziehen sich auf U_{Nenn} und Raumtemperatur!

Note: All electrical and life duration specifications refer to U_{Nenn} and room temperature!

| | | | | |
|--------------------------|--------------------------------------|----------------------------------|---------------------------------------|--|
| | Gezeichnet <i>drawn up</i> | Geprüft <i>checked</i> | Freigegeben <i>released</i> | Datenblatt-Nr. <i>data sheet no.</i> 312142003 |
| Name <i>name</i> | E. Jennert-Berndt | W. Stuffle | C. Höhler | |
| Datum <i>date</i> | 25.10.2006 | 25.10.2006 | 30.10.2006 | Seite 1 v. 2 <i>page 1 of 2</i> |

Tonarten / tone types

| Stufe Stage Niveau 1+2 | Code | Tonart Tone type Tonalité | Frequenz Frequencies Fréquence | Beschreibung Description Description | Einsatz Use Utilisation | Stufe Stage Niveau 3 | dB(A)/1m |
|---------------------------------|--------|---|--------------------------------------|---|-------------------------------|-------------------------------|----------|
| | 123456 | | | | | | |
| A1 | 111111 | alternierend, alternating, alternant | 800 & 970 | 2Hz (250ms-250ms) | | A14 | 120 |
| A2 | 111110 | ansteigend, rising, montant | 800 & 970 | 7Hz (7/s) | | A14 | 120 |
| A3 | 111101 | ansteigend, rising, montant | 800 & 970 | 1Hz (1/s) | | A14 | 120 |
| A4 | 111100 | Dauererton, continuous, continu | 2850 | | | A9 | 111 |
| A5 | 111011 | ansteigend, rising, montant | 2400 to 2850 | 7Hz | | A4 | 109 |
| A6 | 111010 | ansteigend, rising, montant | 2400 to 2850 | 1Hz | | A4 | 110 |
| A7 | 111001 | ansteigend, rising, montant | 500 to 1200 | 3s, then 0.5s OFF (then repeat) | Slow Whoop Holland | A14 | 119 |
| A8 | 111000 | abfallend, falling, incliné | 1200 to 500 | 1Hz | DIN/PFEER (PAPA) | A14 | 119 |
| A9 | 110111 | alternierend, alternating, alternant | 2400 & 2850 | 2Hz (250ms-250ms) | | A4 | 113 |
| A10 | 110110 | pulsierend, pulse, pulsant | 970 | 0.5Hz (1s On/1s Off) | PFEER alert | A14 | 117 |
| A11 | 110101 | alternierend, alternating, alternant | 800 & 970 | 1Hz (500ms-500ms) | | A14 | 118 |
| A12 | 110100 | pulsierend, pulse, pulsant | 2850 | 0.5Hz (1s On/1s Off) | | A4 | 112 |
| A13 | 110011 | unterbrochen Intermittent | 970 | 0.8Hz (250ms On/1s Off) | | A14 | 117 |
| A14 | 110010 | Dauererton, Continuous, Continu | 970 | | PFEER - Toxic gas | A8 | 118 |
| A15 | 110001 | alternierend, alternating, alternant | 554 & 440 | 100ms-400ms | France NFS 32 S 32-001 | A14 | 115 |
| A16 | 110000 | pulsierend, pulse, pulsant | 660 | 3.3Hz (150ms On/150ms Off) | Swedish (Air raid) | A14 | 114 |
| A17 | 101111 | pulsierend, pulse, pulsant | 660 | 0.28Hz (1.8s On/1.8s Off) | Swedish (Local warning) | A14 | 115 |
| A18 | 101110 | pulsierend, pulse, pulsant | 660 | 0.05Hz (6.5s On/13s Off) | Swedish (Pre-mess) | A14 | 115 |
| A19 | 101101 | Dauererton, continuous, continu | 660 | | Swedish (All clear) | A1 | 116 |
| A20 | 101100 | alternierend, alternating, alternant | 554 & 440 | 0.5Hz (1s On/1s Off) | Swedish (Turn out) | A19 | 115 |
| A21 | 101011 | pulsierend, pulse, pulsant | 660 | 1Hz (500ms-500ms) | Swedish | A4 | 115 |
| A22 | 101010 | pulsierend, pulse, pulsant | 2850 | 4Hz (150ms On/100ms Off) | | A4 | 110 |
| A23 | 101001 | ansteigend, rising, montant | 800 to 970 | 50Hz | | A14 | 117 |
| A24 | 101000 | ansteigend, rising, montant | 2400 to 2850 | 50Hz | | A4 | 110 |
| A25 | 100111 | pulsierend, pulse, pulsant | 970 | 3x500s Puls, 1.5s Pause, dann Wiederholung, 3x500ms pulses followed by 1.5s silence then repeat Pulsation de 3x500ms puis 1,5s de pause et ensuite répétition | ISO 8201/US Temporal | A14 | 118 |
| A26 | 100110 | pulsierend, pulse, pulsant | 2850 | 3x500s Puls, 1.5s Pause, dann Wiederholung 3x500ms pulses followed by 1.5s silence then repeat Pulsation de 3x500ms puis 1,5s de pause et ensuite répétition | ISO 8201/US Temporal | A4 | 112 |
| A27 | 100101 | Dauererton, continuous, continu | 4000 | | | A6 | 105 |
| A28 | 100100 | alternierend, alternating, alternant | 800 & 970 | 2Hz (250ms-250ms) | | A14 | 118 |
| A29 | 100011 | alternierend, alternating, alternant | 990 & 650 | 2Hz (250ms-250ms) (Symphoni tones) | | A14 | 117 |
| A30 | 100010 | alternierend, alternating, alternant | 510 & 610 | 2Hz (250ms-250ms) | | A14 | 116 |
| A31 | 100001 | ansteigend, rising, montant | 300 to 1200 | 1Hz | | A14 | 118 |
| A32 | 100000 | Dauererton, continuous, continu | Klingel, bell, carillon | | | A3 | 117 |
| A33 | 011111 | Dauererton, continuous, continu | Klingel, bell, carillon | 3x500s Puls, 1.5s Pause, dann Wiederholung 3x500ms pulses followed by 1.5s silence then repeat Pulsation de 3x500ms puis 1,5s de pause et ensuite répétition | Bell/US Temporal | A14 | 117 |
| A34 | 011110 | alternierend, alternating, alternant | 1000 & 2000 | 1Hz (500ms-500ms) | Singapore | A4 | 115 |
| A35 | 011101 | pulsierend, pulse, pulsant | 420 | 0.625s | Australian alert | A14 | 118 |
| A36 | 011100 | ansteigend, rising, montant | 500 to 1200 | Sweep 3.75s followed by 0.25s gap | Australian evac | A14 | 117 |
| A37 | 011011 | ansteigend, rising, montant | 1400 to 1600 | Sweep up 1s, sweep down 0.5s | NF C 48-265 | A14 | 116 |
| A38 | 011010 | ansteigend-abfallend, rising-falling, montant-incliné | 500 to 1200 | Sweep up & down over 3s | Siren | A14 | 117 |
| A39 | 011001 | pulsierend, pulse, pulsant | 720 | 0.7s On, 0.3 Off | German ind alarm | A14 | 118 |
| A40 | 011000 | ansteigend, rising, montant | 422 to 775 | Sweep for 0.85s, 1s delay, repeat | NFPA Whoop | A14 | 118 |
| A41 | 010111 | Dauererton, continuous, continu | 470 | | Horn (USA) | A3 | 114 |
| A42 | 010110 | Dauererton, continuous, continu | 370 | | Air Horn (USA) | A3 | 113 |