

Ausdruck ist nur zur Information und wird bei Änderung nicht berücksichtigt. This printed copy is for information only and is subject to alteration.



# Mehrtonsirene 32 Töne

*Multi-t. soulder 32tne*

## 141 #00 XX

(vorläufiges techn. Datenblatt)  
(provisional technical data sheet)

WERMA Signaltechnik  
GmbH + Co. KG  
Dürbheimer Straße 15  
78604 Rietheim-Weilheim  
Phone +49(0)7424 9557-0  
Fax +49(0)7424 9557-44  
info@werma.com

### Elektrische Daten:

*electrical specification*

Betriebsspannung: Siehe Bestell-Nr.  
*operating voltage see order no.*  
Stromaufnahme: I<sub>eff</sub> = 120 mA / 24V  
*current consumption 22 mA / 230 V*  
Tonfrequenz: 300 – 4.000 Hz  
*tone frequency*  
Lautstärke: 110 dB(A)  
*volume*  
Tonart: 32 Töne  
*tone type 32 tones*  
Einschaltdauer: 100 % ED  
*duty cycle 100 %*

### Bestell-Nr.:

*order no.:*  
141 #00 55 9 – 60 V DC 500 - 520 g  
141 #00 68 115V / 230V AC 570 - 600 g  
# 0 = rot 1 = grau  
# 0 = red 1 = grey

(andere Spannungen auf Anfrage)  
(other voltages available on request)

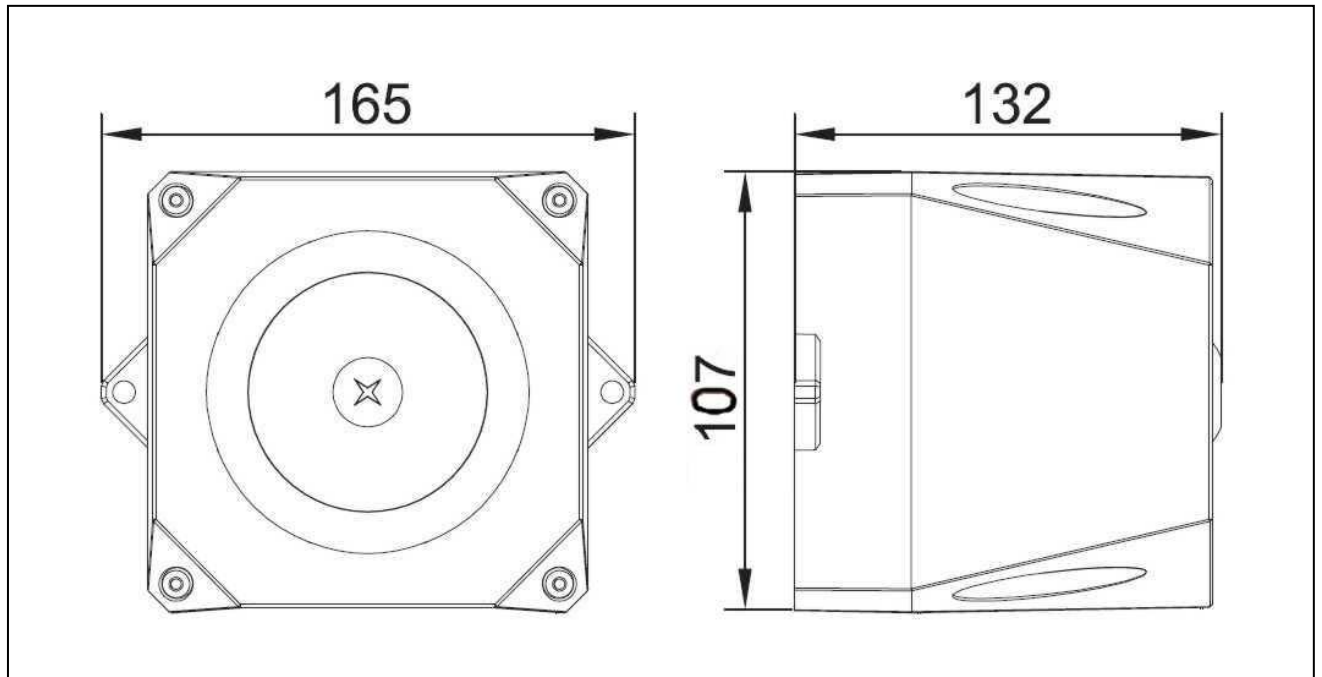
### Mechanische Daten:

*mechanical specification*

Material Gehäuse: PC/ABS-Blend  
*housing material*  
Kabeleinführung: Kabelverschraubung  
*cable entry M20x1,5 (nicht im Lieferumfang enthalten)*  
*cable gland M20x1,5 (not included)*  
Temperatur: -25° ... +70 °C  
*temperature*  
Schutzart: IP66 in montiertem Zustand  
*protection rating IP66 when mounted*  
Einbaulage: Schallaustrittsöffnung nicht  
*installation position acoustic outlet not upwards*  
Befestigung: Decken- und Wandmontage  
*fixing ceiling and wall mounting*  
Anschluss: Schraubklemme max. 2,5 mm<sup>2</sup>  
*connection screwable connection max. 2,5mm<sup>2</sup>*

**Vorschriften:**  
*regulations*

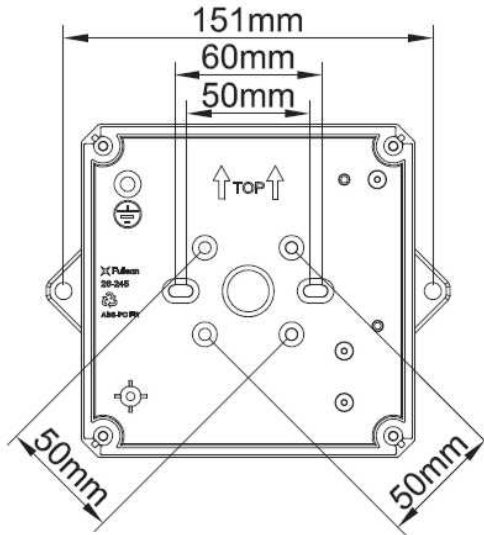
Die zutreffenden EG-Richtlinien werden erfüllt  
*conforms to current EU regulations*



**Hinweis:** Alle Angaben beziehen sich auf U<sub>Nenn</sub> und Raumtemperatur!

*Note: All electrical and life duration specifications refer to U<sub>Nenn</sub> and room temperature!*

	Gezeichnet <i>drawn up</i>	Geprüft <i>checked</i>	Freigegeben <i>released</i>	Datenblatt-Nr. <i>data sheet no.</i>
Name <i>name</i>	E. Jennert-Berndt	S. Zoller	C. Höhler	312141001
Datum <i>date</i>	14.01.2010	19.01.2010	21.01.2010	Seite 1 v. 2 <i>page 1 of 2</i>



Asserta Midi Sounder Tones Table

Primary Tone	Secondary Tone	CODE	TONE					Stage 1 & 2				
			12345	Description	Frequencies	Pattern	Use	12Vdc	24Vdc	48Vdc	24Vdc See Notes	60Vdc See Notes
							I (mA)	I (mA)	I (mA)	dB(A)@1m	dB(A)@1m	
1	14	11111	Alternating	800 & 970	2Hz (250ms-250ms)	BS5839 Part 1 1988		15	32	35	108	-
2	14	11110	Sweep	800 & 970	7Hz (7/s)	Fast Sweep (LF) BS5839 Part 1 1988		11	24	26	107	-
3	14	11101	Sweep	800 & 970	1Hz (1/s)	Medium Sweep (LF) BS5839 Part 1 1988		11	23	27	108	104
4	14	11100	Continuous	2850	Steady			19	40	44	107	-
5	4	11011	Sweep	2400 to 2850	7Hz	Fast Sweep		15	31	35	107	-
6	4	11010	Sweep	2400 to 2850	1Hz			15	31	35	109	-
7	14	11001	Slow Whoop	300 to 1200	3s sweep, 0.5s silence, then repeat (rep)	Slow Whoop		17	38	42	111	108
8	14	11000	Sweep	1200 to 500	1Hz	Din Tone		14	31	35	109	107
9	4	10111	Alternating	2400 & 2850	2Hz (250ms-250ms)			16	35	38	108	-
10	14	10110	Intermittent	970	0.5Hz (1s On/1s Off)	Back-up Alarm (LF) BS5839 Part 1 1988		13	30	33	108	-
11	14	10101	Alternating	800 & 970	1Hz (500ms-500ms)	BS5839 Part 1 1988		15	33	37	108	-
12	4	10100	Intermittent	2850	0.5Hz (1s On/1s Off)	Back-up Alarm (HF)		13	29	32	107	-
13	14	10011	Intermittent	970	0.8Hz (250ms On/1s Off)	BS5839 Part 1 1988		6	14	16	108	-
14	14	10010	Continuous	970	Steady	BS5839 Part 1 1988		18	41	45	108	107
15	14	10001	Alternating	554 & 440	100ms-400ms	French Fire Sound		13	32	36	108	-
16	16	10000	Intermittent	660	3.3Hz (150ms On/150ms Off)	Swedish Alarm Tone		8	17	21	106	-
17	17	01111	Intermittent	660	0.28Hz (1.8s On/1.8s Off)	Swedish Alarm Tone		11	26	29	106	-
18	18	01110	Intermittent	660	0.05Hz (6.5s On/13s Off)	Swedish Alarm Tone		13	30	32	107	-
19	19	01101	Continuous	660	Steady	Swedish Alarm Tone		13	30	33	107	-
20	20	01100	Alternating	554 & 440	0.5Hz (1s On/1s Off)	Swedish Alarm Tone		13	32	35	107	-
21	21	01011	Intermittent	660	1Hz (500ms-500ms)	Swedish Alarm Tone		9	20	23	106	-
22	14	01010	Intermittent	2850	4Hz (150ms On/100ms Off)	Pelican Crossing		12	25	28	106	-
23	14	01001	Sweep	800 to 970	50Hz	Low Frequency Buzz BS5839 Part 1 1988		11	24	26	107	-
24	4	01000	Sweep	2400 to 2850	50Hz	High Frequency Buzz		15	31	34	107	-
25	25	00111	Intermittent	970	500mS On/500mS Off	ISO 8201 Low Frequency		11	25	29	108	-
26	26	00110	Intermittent	2850	500mS On/500mS Off	ISO 8201 High Frequency		12	25	28	107	-
27	27	00101	Continuous	4000	Steady			16	32	39	105	-
28	10	00100	Alternating	800 & 970	2Hz (250ms-250ms)	FP1063.1-Telecom		14	32	36	108	-
29	988Hz	00011	Alternating	990 & 650	2Hz (250ms-250ms)(Symphoni tones)	Symphoni Tones		11	23	26	106	105
30	510Hz	00010	Alternating	510 & 610	2Hz (250ms-250ms)(Squashni Micro tones)	Squashni Micro		14	34	37	108	105
31	31	00001	Sweep	300 to 1200	1Hz			16	41	44	109	-
32	27	00000	Alternating	510 & 610	1Hz (500ms-500ms)			14	34	38	108	-

Note (a): Tones approved under the Construction Products Directive for Fire Alarm Applications, are shown in the column marked EN54-3.  
 Note (b): EN54-3 measurements shown reflect minimum expected SPL readings at Maximum Volume at the Loudest Point around the EN54-3 defined sounder axis.  
 Note (c): All other tone measurements reflect manufacturers data based on 'on axis' measurements, and not verified by a Notified body.  
 Note (d): Detailed EN54-3 polar SPL measurements are available in the Product Manual M04-005.  
 Note (e): All measurements taken at 20°C operating temperature.  
 Note (f): For measurements at 12V, subtract 6dB off figure at 24V  
 Note (g): For measurements at 48V, add 1dB onto figure at 24V