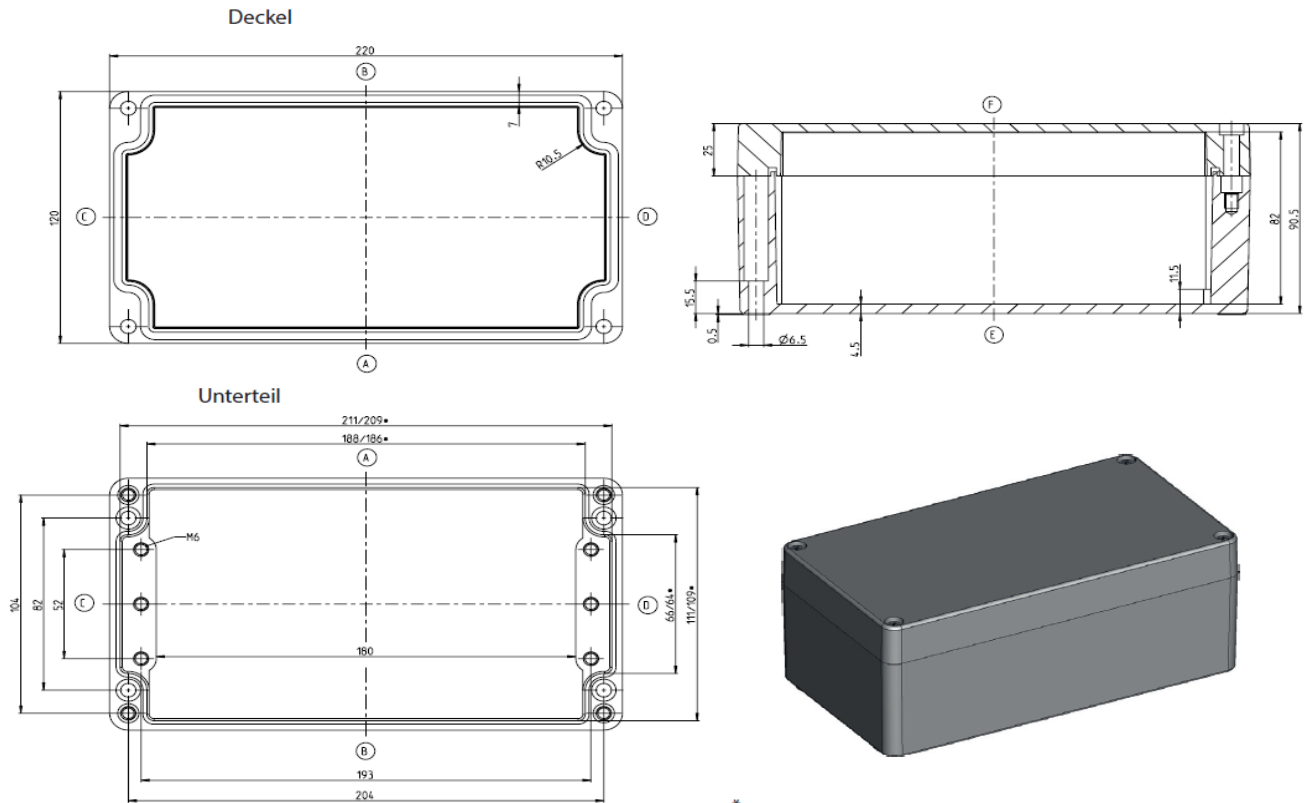


Standard enclosure

Series CPG

Type description CP-240

Article number 424000000



CPG-240

\* smaller dimension in the height of the support surface of the mounting plate

Standard version

Scope of delivery:

- Gehäuseunterteil / Lower part of enclosure / Partie inférieure du boîtier
- Gehäusedeckel / Enclosure lid / Couvercle du boîtier
- Deckelschrauben (Kombi-Kreuzschlitz) lose beigelegt / Cover screws (combination slotted head) enclosed loose / Vis de couvercle (à fente cruciforme combinée) fournies en vrac

—

- RAL7001 (silbergrau) / RAL7001 (silver grey) / RAL7001 (gris argenté)
- Deckeldichtung PUR / lid gasket PUR / Joint de couvercle PUR
- Einzelverpackung in Folie / Single packaging in foil / Emballage individuel sous film

Maximum possible number of threads (data for same diameter, not mixed!)

| ISO M    | M12 | M16 | M20 | M25 | M32 | M40 | M50 | M63 |
|----------|-----|-----|-----|-----|-----|-----|-----|-----|
| Side A/B | 27  | 12  | 9   | 6   | 4   | 3   | 0   | 0   |
| Side C/D | 6   | 3   | 2   | 2   | 1   | 0   | 0   | 0   |

BERNSTEIN AG . Hans-Bernstein-Straße 1 . 32457 Porta Westfalica . www.bernstein.eu

Technical changes and errors excepted.

This data sheet corresponds to the technical status as of 17.05.2023 [TT.MM.JJJJ] and will not be withdrawn in the event of changes.

# Technical data



Standard enclosure  
Series CPG

**Properties table CP-240** Article number 424000000

| Specification  | Value   | according to standard | Comment   |
|--|---|-----------------------|---|
| <b>General data</b>  |   |                       |   |
| Weight   | 1060g   |                       |   |
| External dimensions  | 220x120x90,5                                  |                       |   |
| Degree of protection   |   |                       |   |
| <i>IP code</i>   | IP66  | DIN EN 60529          |   |
| <i>IP code</i>   | IP67  | DIN EN 60529          |   |
| <i>IK code</i>   | IK08  | DIN EN 62262          |   |
| <b>Materials</b>   |   |                       |   |
| <i>Enclosure</i>   | Polyester SMC 0190                            | —                     | Unsaturated polyester resins (UP)<br>Silver grey      |
| <i>Lid fastener</i>  | A2-70   | DIN EN ISO 3506-1     | Lid screws  |
| <i>Additional screws</i>   | —   | —                     | —   |
| <i>Spring washer</i>   | 1.4310  | DIN EN 10088-3        | —   |
| <i>Press-in nut</i>  | 1.4305<br>CuZn39Pb3-M                         | DIN EN 10088-3        | —   |
| <i>Seal</i>  | PUR   | —                     | Colour: black-grey<br>2K-polyurethane foam gasket     |
| Toxic behaviour  | Halogenfrei / Halogen-free /<br>Sans halogène |                       | —   |
| <b>Mechanical properties</b>   |   |                       |   |
| Torques  |   |                       |   |
| <i>Cover fastener</i>  | 2,0 Nm  |                       | —   |
| <i>Ground screw</i>  | —   |                       | —   |
| <i>Fastening accessories</i>   | 2,0 Nm  |                       | e.g. support rail, mounting plate                     |
| <i>Other fastening</i>   | 2,0 Nm  |                       | Screw channel, external fixing bracket                |
| Maximum installation weight  | 1,5Kg   |                       | —   |
| <b>Thermal properties</b>  |   |                       |   |
| Temperature range  |   |                       |   |
| <i>Enclosure complete</i>  | -40°C bis +100°C                              | —                     | —   |
| <i>Enclosure material</i>  | -60°C bis +165°C                              | —                     | —   |
| <i>Seal</i>  | -40°C bis +100°C                              | —                     | PUR   |
| Fire behaviour   |   |                       |   |
| <i>Flammability</i>  | V-0   | UL 94                 | Same content as IEC60659-11-10 and<br>IEC 60695-11-20 |
| <i>Glow wire test</i>  | 960°C   | IEC 60695-2-12        | —   |
| Temperature index Enclosure material   |   |                       |   |
| <i>RTI (tensile strength)</i>  | 130°C   | UL 746 B              | —   |
| <i>RTI (impact strength)</i>   | 130°C   | UL 746 B              | —   |
| <i>RTI (dielectric strength)</i>   | 105°C   | UL 746 B              | —   |
| Heat resistance  |   |                       |   |
| <i>Insulation class</i>  | —   | —                     | —   |
| Fire behaviour - Fire protection in railway vehicles according to EN 45545-2:2020-10 |   |                       |   |
| <i>Requirement set R1</i>  | —   | —                     | —   |
| <i>Requirement set R6</i>  | —   | —                     | —   |
| <i>Requirement set R7</i>  | —   | —                     | —   |
| Oxygen index   | —   | —                     | —   |
| Storage temperature  | -20°C bis +60°C                               | —                     | —   |
| Thermal resistance   | 2,65 K/W                                      | —                     | taking into account the effective power loss          |

BERNSTEIN AG . Hans-Bernstein-Straße 1 . 32457 Porta Westfalica . www.bernstein.eu

Technical changes and errors excepted.




This data sheet corresponds to the technical status as of 17.05.2023 [TT.MM.JJJJ] and will not be withdrawn in the event of changes.

# Technical data



Standard enclosure  
Series CPG

**Properties table CP-240** Article number **424000000**

| Specification   | Value  | according to standard | Comment  |
|---|--|-----------------------|--|
| <b>Usual operating conditions according to DIN EN 62208</b>   |  |                       |  |
| Ambient temperature   |  |                       |  |
| <i>Indoor installation</i>                                    | -5°C bis +40°C   | —                     | on average over 24h +35°C  |
| <i>Outdoor installation</i>                                   | -25°C bis +40°C  | —                     | on average over 24h +35°C  |
| Relative humidity   |  |                       |  |
| <i>Indoor installation</i>                                    | max. 50% bei +40°C   | —                     | at low temperatures also higher (e.g. 90% at 20°C); occasionally condensation permissible  |
| <i>Outdoor installation</i>                                   | zeitweise / temporary / temporairement 100 % bei +25°C   | —                     | at low temperatures also higher (e.g. 90% at 20°C); occasionally condensation permissible  |
| <b>Chemical properties</b>                                    |  |                       |  |
| Corrosion resistance  | —  | —                     | —  |
| Corrosion resistance  | —  | —                     | —  |
| Salt spray test   | —  | —                     | —  |
| Resistance list for enclosure materials and seals             |  |                       | see catalogue details  |
| <b>Electrical properties</b>                                  |  |                       |  |
| Protection class  | II   | EN 61140 / VDE 0140-1 |  Protection through double or reinforced insulation |
| Rated voltage   | max. 750V  | —                     | —  |
| Surface resistance  | 10 <sup>12</sup> Ohm   | IEC 60093             | —  |
| Dielectric strength   | 18 kV/mm   | IEC 60243-1           | —  |
| <b>Further specifications</b>                                 |  |                       |  |
| General tolerances  |  |                       |  |
| <i>Casting tolerance</i>                                      | TG 5   | DIN ISO 20457         | Plastics moulded parts – Tolerances and acceptance conditions  |
| <i>Machining tolerance</i>                                    | mH   | DIN ISO 2768          | Machining tolerance  |
| Product standard  | konform/compliant/conforme   | DIN EN 62208          | Empty enclosures for low-voltage switchgear and controlgear assemblies   |
| Approval  |  |                       |  |
| <i>c UL us</i>  | konform/compliant/conforme   | UL 508A / C22.2       | Typ 1, 4, 4x with label on request   |
| <i>ATEX / IECeX</i>   |  —<br> | —                     | on request   |
| <i>DNV</i>  | konform/compliant/conforme   | —                     | —  |
| Conformities / Directives                                     |  |                       |  |
| <i>Directive 2011/65/EU (RoHs)</i>                            | konform/compliant/conforme   | 2011/65/EU (RoHs)     | RoHs   |
| <i>Low Voltage Directive</i>                                  | konform/compliant/conforme   | 2014/35/EU            | —  |
| <i>Electrical Equipment (safety) Regulations 2016 (CA UK)</i> | konform/compliant/conforme   | 2016 NO.1101          | —  |

**BERNSTEIN AG .** Hans-Bernstein-Straße 1 . 32457 Porta Westfalica . www.bernstein.eu

Technical changes and errors excepted.

This data sheet corresponds to the technical status as of 17.05.2023 [TT.MM.JJJJ] and will not be withdrawn in the event of changes.