

skyline

LED



## Obstruction light Skyline Alpha

**Robust obstruction light with rubber housing against vibrations**

- ▶ Marking of aviation obstructions according to ICAO Annex 14
- ▶ LED technology
- ▶ Corrosion free
- ▶ Diversity of variants
- ▶ Long lifetime
- ▶ Alpha 4R with redundancy circuit and „easy monitoring“



### Application

The requirements of the ICAO (International Civil Aviation Organisation) prescribe that aviation obstructions must be clearly marked with corresponding certified obstruction lights.

The obstruction lights Skyline Alpha correspond to these requirements according to ICAO Annex 14, Chapter 6, Table 6-3.

Skyline Alpha is designed on the basis of LED, thus enabling almost maintenance-free operation, and achieves an extremely long lifetime.

Four different models are available for the various mounting situations and are available in the commonly voltages 24 VDC and 115/230 VAC.

### Design

The Skyline Alpha series is based on a rubber housing with a transparent or red plastic cap. The eight diode strips each

with 12 horizontally aligned LED s exceed the minimum requirements of the ICAO of 10 cd explicit without dazzling. The Skyline Alpha 1 is the standard version without additional fastening material and can be mounted on stationary surfaces. Alpha 2 is pre-mounted on a mounting bracket and equipped with a 1-meter cable. The version Alpha 3 is also equipped with a mounting bracket and has an additional connecting box for simple and economic installation. For operation on masts, or at places where double safety is required, the design Alpha 4 is provided. This obstacle light has two lamps pre-mounted on a double arm and is easy to install by means of a connecting box. The version with redundancy circuit is also developed with two lamps. One of these lamps is only activated. In case of any fault, the second lamp starts automatically and a potential free contact is present to show this fault.

### Obstruction light

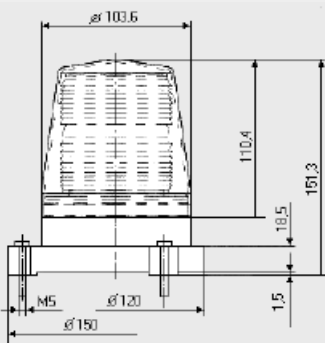
for example on radio tower, chimney as well as high towers.



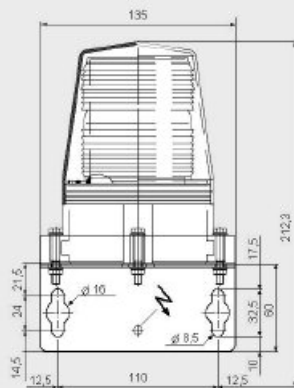
# Technical specifications

Approval	Convention on International Civil Aviation ICAO Doc 7300/5, Annex 14 –Aerodromes, Chapter 6, Table 6-3 (Appendix A) Characteristics of obstacle lights, Low-intensity, Type A, red General administrative regulation on the marking of aviation obstructions, of 02.09.2004	
Housing	Elastic TPF (solid rubber)	
Protection degree	IP 65 according to IEC 60529 Protection class II	
Cable entry	6-8 mm, rubber sealed (Alpha 2 – 4 prewired)	
Operating position	Cable entry downwards	
Operating mode	Continuous	
Temperature range	Operation	-20°C to +50°C
	Storage	-30°C to +70°C
Current consumption	24 VDC	800 mA
(per individual light)	120 VAC	140 mA
	230 VAC	70 mA
Weight	Alpha 1	ca. 0.45 kg
	Alpha 2	ca. 1.60 kg
	Alpha 3	ca. 2.20 kg
	Alpha 4	ca. 4.50 kg

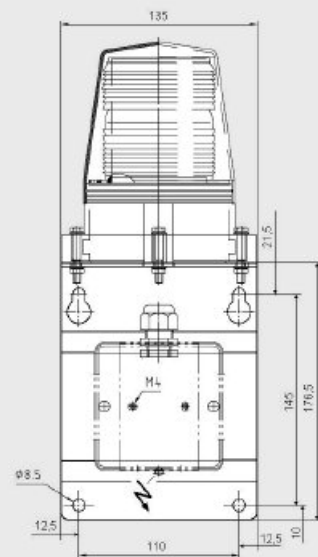
**Alpha 1**



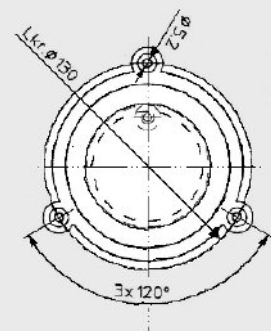
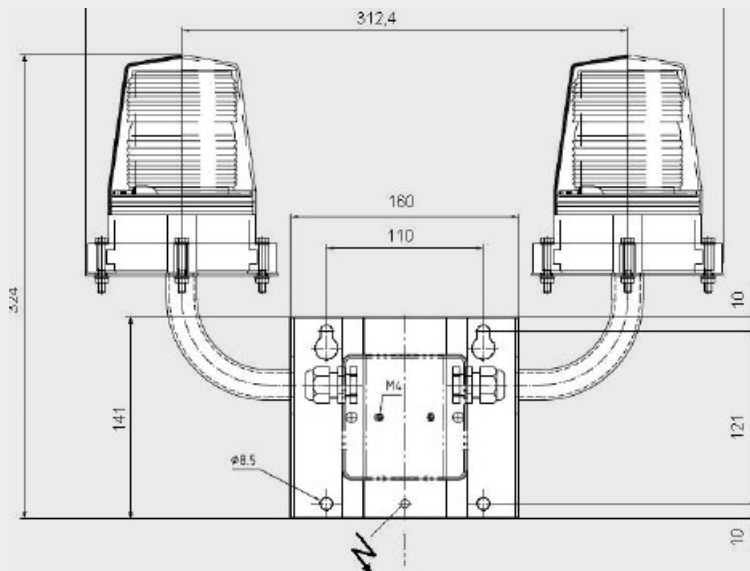
**Alpha 2**



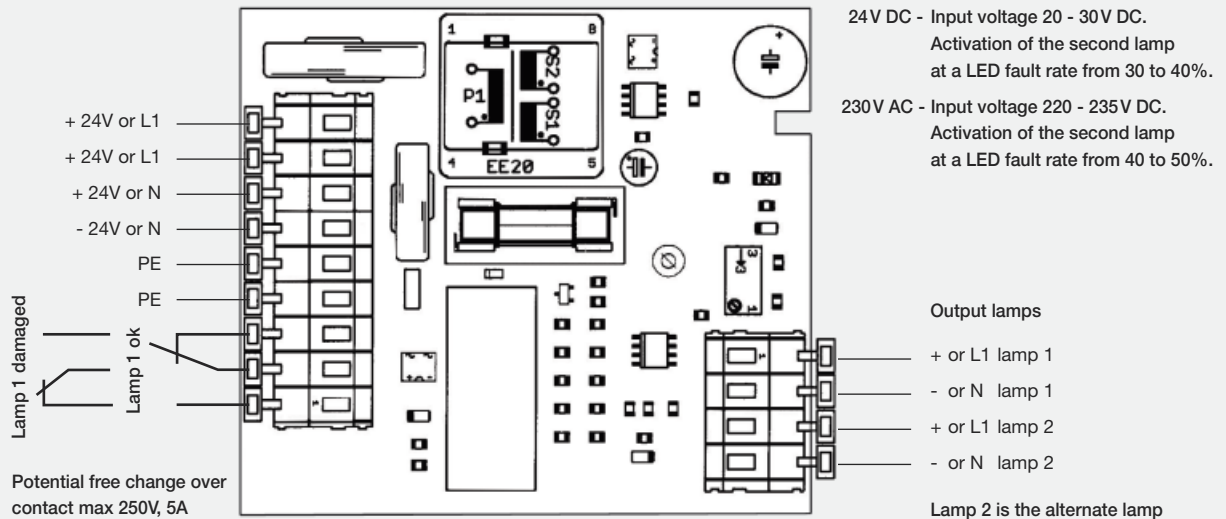
**Alpha 3**



**Alpha 4**



## Alpha 4R



## Order information

Type	Designation	Voltage	Cap	Art.-no.
Alpha 1	Obstacle light Skyline Alpha 1	115/230 VAC	clear	22310701
Alpha 1	Obstacle light Skyline Alpha 1	115/230 VAC	red	22310702
Alpha 1	Obstacle light Skyline Alpha 1	24 VDC	clear	22311301
Alpha 1	Obstacle light Skyline Alpha 1	24 VDC	red	22311302
Alpha 2	Obstacle light Skyline Alpha 2	115/230 VAC	clear	223207010
Alpha 2	Obstacle light Skyline Alpha 2	115/230 VAC	red	223207020
Alpha 2	Obstacle light Skyline Alpha 2	24 VDC	clear	223213010
Alpha 2	Obstacle light Skyline Alpha 2	24 VDC	red	223213020
Alpha 3	Obstacle light Skyline Alpha 3	115/230 VAC	clear	223307010
Alpha 3	Obstacle light Skyline Alpha 3	115/230 VAC	red	223307020
Alpha 3	Obstacle light Skyline Alpha 3	24 VDC	clear	223313010
Alpha 3	Obstacle light Skyline Alpha 3	24 VDC	red	223313020
Alpha 4	Obstacle light Skyline Alpha 4	115/230 VAC	clear	223407010
Alpha 4	Obstacle light Skyline Alpha 4	115/230 VAC	red	223407020
Alpha 4	Obstacle light Skyline Alpha 4	24 VDC	clear	223413010
Alpha 4	Obstacle light Skyline Alpha 4	24 VDC	red	223413020
Alpha 4R	Skyline Alpha 4 m. Redundanzschaltung	24 VDC	red	223513020
Alpha 4R	Skyline Alpha 4 m. Redundanzschaltung	24 VDC	clear	223513010
Alpha 4R	Skyline Alpha 4 m. Redundanzschaltung	230 VAC	red	223507020
Alpha 4R	Skyline Alpha 4 m. Redundanzschaltung	230 VAC	clear	223507010

Subject to change without notice · Printout 05/11