

|                   |                               |                                                                                    |
|-------------------|-------------------------------|------------------------------------------------------------------------------------|
| U.I. Lapp<br>GmbH | <b>DATA SHEET/ Datenblatt</b> |  |
|                   | <b>AB-C5-M12MS-PG9</b>        | 22260651<br>valid from/ gültig ab: 01.06.2010                                      |

## Description

S/A connector, male, straight, 5-pos., M12, A-coded, screw connection, metal knurl, cable screw connection Pg9



## General data

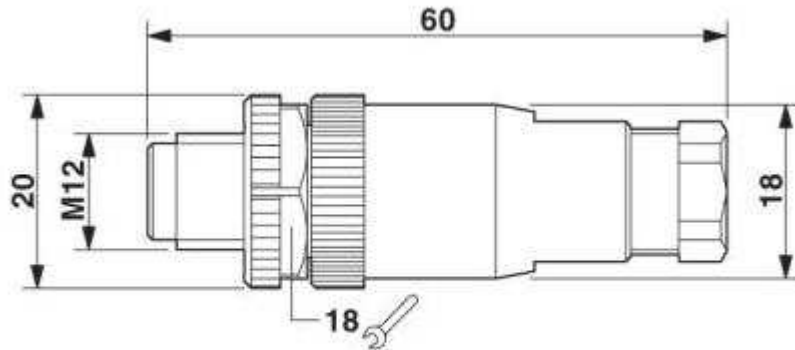
|                                 |                                 |
|---------------------------------|---------------------------------|
| Rated current at 40°C           | 4 A                             |
| Rated voltage                   | 60 V                            |
| Number of positions             | 5                               |
| Volume resistance               | ≤ 8 mΩ                          |
| Insulation resistance           | ≥ 100 MΩ                        |
| Ambient temperature (operation) | -40 °C ... 85 °C (p lug/socket) |

## General characteristics

|                                        |                                |
|----------------------------------------|--------------------------------|
| Coding                                 | A - standard                   |
| Surge voltage category                 | II                             |
| Pollution degree                       | 3                              |
| Degree of protection                   | IP67                           |
| Contact material                       | CuZn                           |
| Contact surface material               | CuSnZn                         |
| Contact carrier material               | PA 66                          |
| Material of grip body                  | PBT                            |
| Material, knurls                       | Zinc die-cast, (nickel-plated) |
| Sealing material                       | NBR                            |
| Type of connection                     | Screw connection               |
| Conductor cross section stranded min.  | 0.25 mm <sup>2</sup>           |
| Conductor cross section stranded max.  | 0.75 mm <sup>2</sup>           |
| Conductor cross section AWG/kcmil min. | 24                             |
| Conductor cross section AWG/kcmil max  | 18                             |
| External cable diameter                | 6 mm ... 8 mm                  |
| Status display                         | No                             |

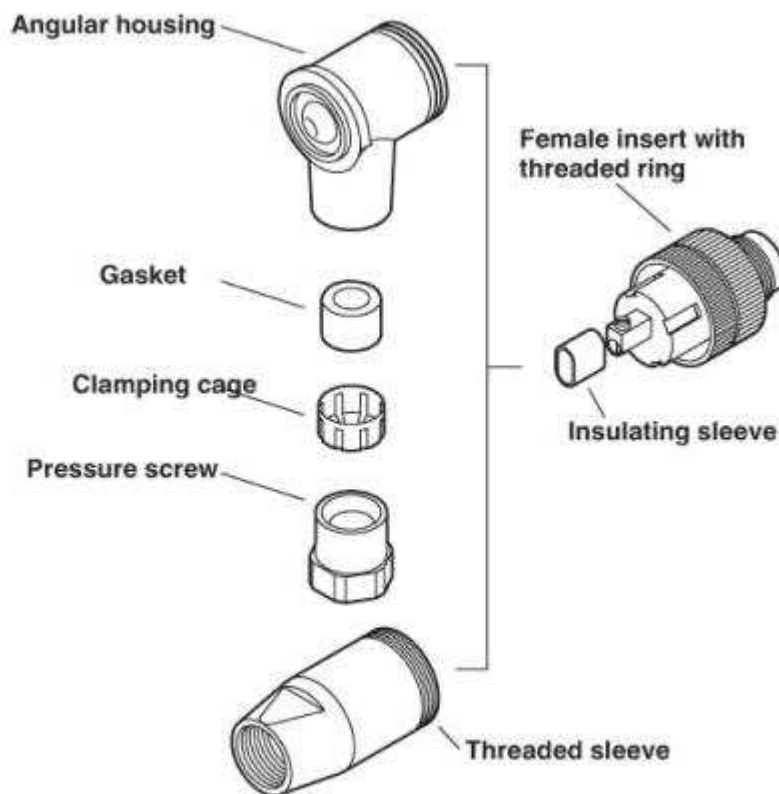
|                                              |                      |       |
|----------------------------------------------|----------------------|-------|
| Product Management<br>www.lappautomation.com | Document: 22260651EN | 1 / 3 |
|----------------------------------------------|----------------------|-------|

**Technical drawings**



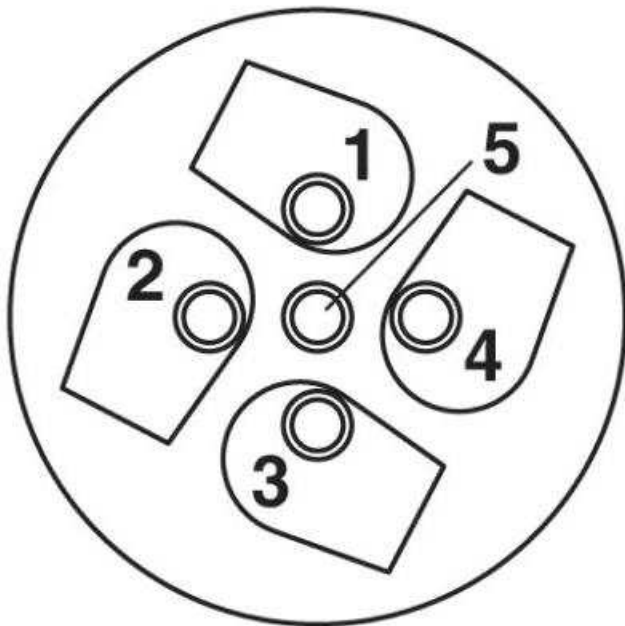
Dimensioned drawing 1

M12 x 1 male connector, straight



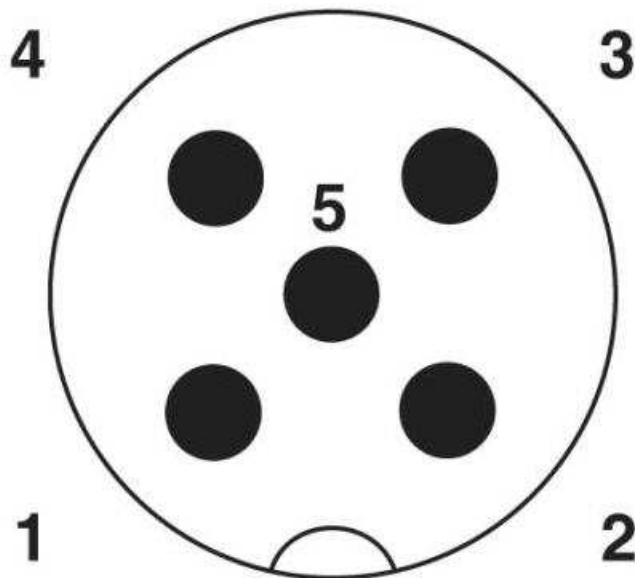
Schematic diagram 1

Male/Female M12



Schematic diagram 2

Cable connection side M12 (screw connection)



Schematic diagram 3

Pin assignment M12 male connector, 5-pos., A-coded, male side