



<b>Data Sheet</b>	22260648
<b>AB-C5-M12MA-PG9</b>	Valid from: 22.07.2009

### Description

S/A connector, male, angled, 5-pos., M12, A-coded, screw connection, metal knurl, cable screw connection Pg9

### Approvals



### General data

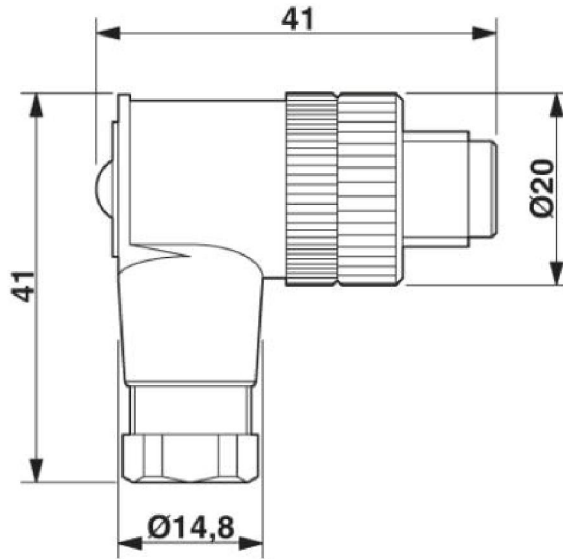
Nominal current $I_N$	4 A
Nominal voltage $U_N$	60 V
Number of positions	5
Volume resistance	8 m
Insulation resistance	100 M
Ambient temperature (operation)	-40 °C ... 85 °C (plug/socket)

### General characteristics

Coding	A - standard
Surge voltage category	II
Pollution degree	3
Degree of protection	IP67
Contact material	CuZn
Contact surface material	CuSnZn
Contact carrier material	PA 66
Material of grip body	PBT
Material, knurls	Zinc die-cast, (nickel-plated)
Sealing material	NBR
Type of connection	Screw connection
Conductor cross section stranded min.	0.25 mm <sup>2</sup>
Conductor cross section stranded max.	0.75 mm <sup>2</sup>
Conductor cross section AWG/kcmil min.	24
Conductor cross section AWG/kcmil max	18
Min. diameter	6 mm
Max. diameter	8 mm
Status display	No

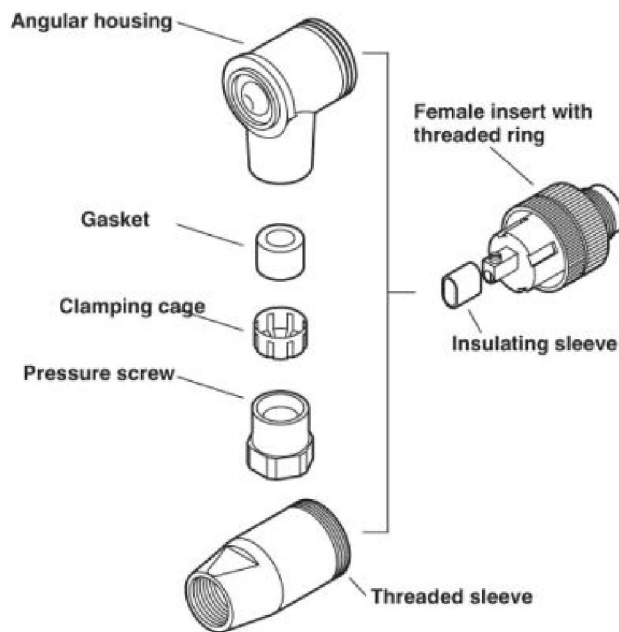
<b>Data Sheet</b>	22260648
<b>AB-C5-M12MA-PG9</b>	Valid from: 22.07.2009

Technical drawings and dimensions



Dimensioned drawing 1

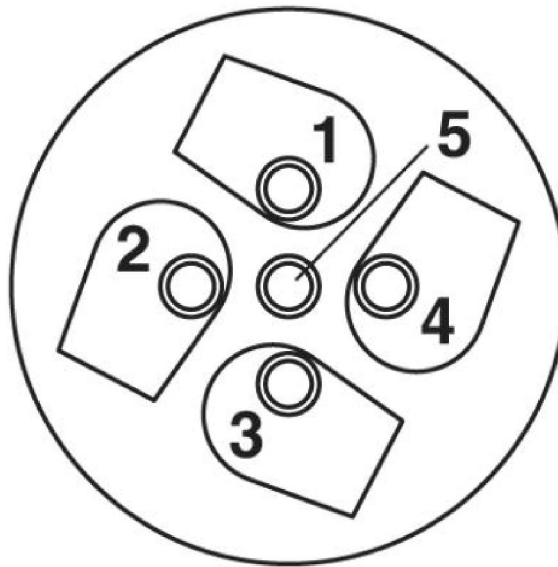
M12 x 1 male connector, angled



Schematic diagram 1

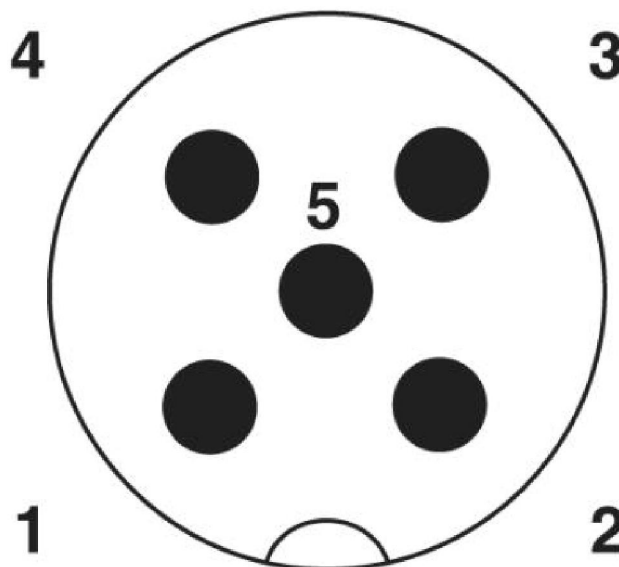
Male/Female M12

<b>Data Sheet</b>	22260648
<b>AB-C5-M12MA-PG9</b>	Valid from: 22.07.2009



Schematic diagram 2

Cable connection side M12 (screw connection)



Schematic diagram 3

Pin assignment M12 male connector, 5-pos., A-coded, male side