



Data Sheet

22260636

AB-C4-M12FA-PG7

Vaid from:
28.01.2009

Description

S/A connector, female, angled, 4-pos., M12, A-coded, screw connection, metal knurl, cable screw connection

Approvals



General data

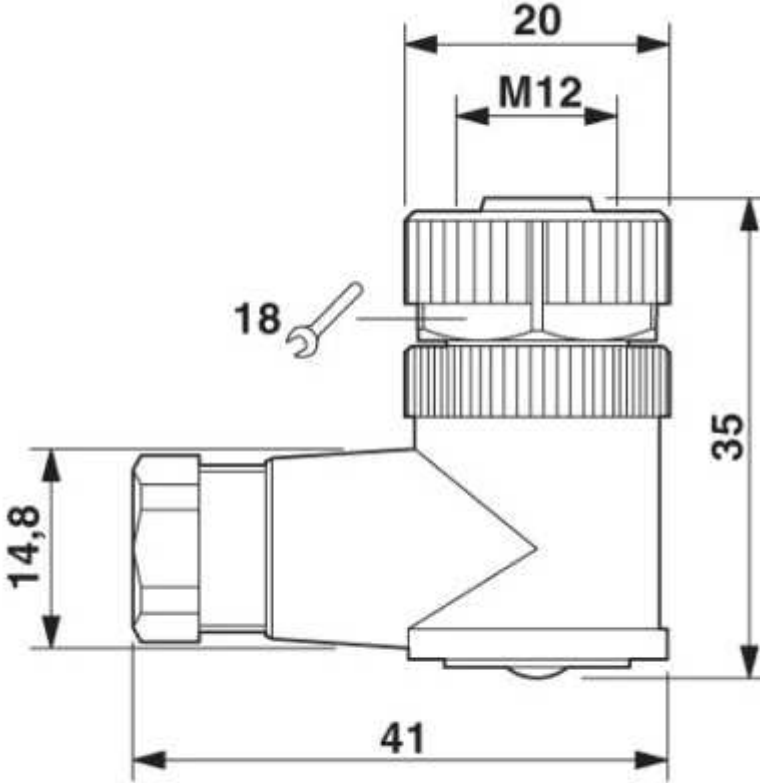
Nominal current I_N	4 A
Nominal voltage U_N	250 V
Number of positions	4
Volume resistance	$\leq 8 \text{ m}\Omega$
Insulation resistance	$\geq 100 \text{ M}\Omega$
Ambient temperature (operation)	-40 °C ... 85 °C (plug/socket)
Pg screw connection	Pg7

General characteristics

Coding	A – standard
Inflammability class acc. to UL 94	V0
Surge voltage category	II
Pollution degree	3
Degree of protection	IP67
Contact material	CuZn
Contact surface material	CuSnZn
Contact carrier material	PA 66
Material of grip body	PBT
Material, knurls	Zinc die-cast, (nickel-plated)
Sealing material	NBR
Type of connection	Screw connection
Conductor cross section stranded	min. 0.25 mm ²
Conductor cross section stranded	max. 0.75 mm ²
Conductor cross section AWG/kcmil	min. 24
Conductor cross section AWG/kcmil	max 18
Min. diameter	4 mm
Max. diameter	6 mm
Status display	No

Data Sheet	22260636
AB-C4-M12FA-PG7	Vaid from: 28.01.2009

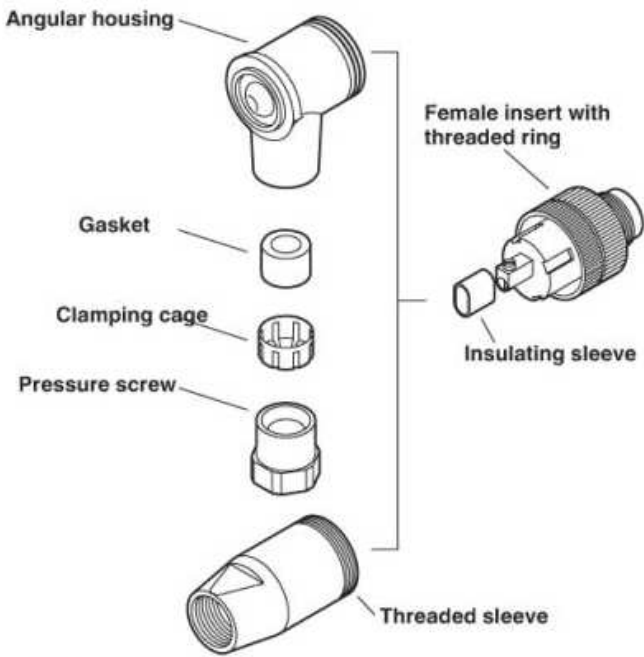
Technical drawings and dimensions



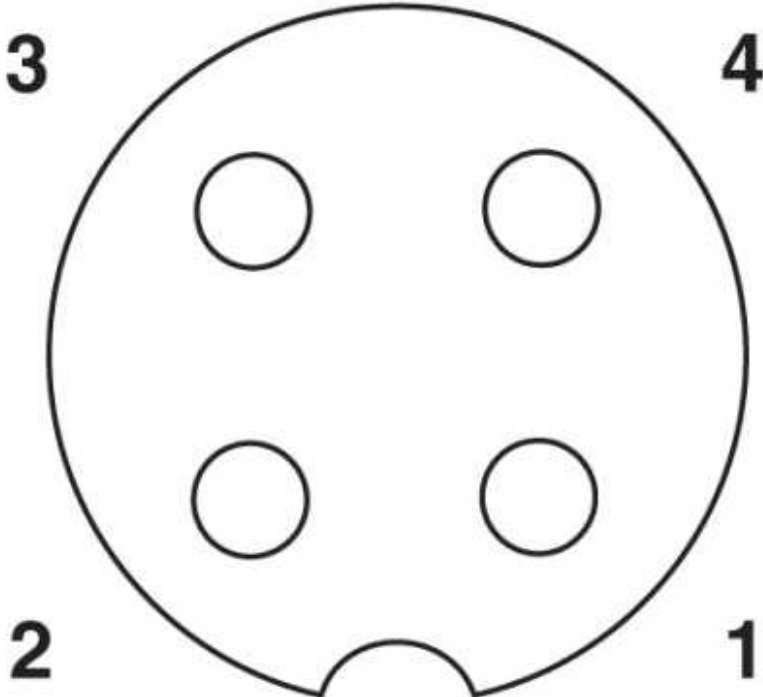
Dimensioned drawing 1

M12 x 1 female connector, angled

Data Sheet	22260636
AB-C4-M12FA-PG7	Vaid from: 28.01.2009



Schematic diagram 1
Male/Female M12



Schematic diagram 3
Pin assignment M12 socket, 4-pos., A-coded, view female side